



Cambridge IGCSE™

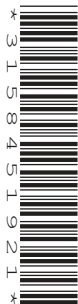
CANDIDATE
NAME

CENTRE
NUMBER

--	--	--	--	--

CANDIDATE
NUMBER

--	--	--	--



COMBINED SCIENCE

0653/52

Paper 5 Practical Test

February/March 2022

1 hour 15 minutes

You must answer on the question paper.

You will need: The materials and apparatus listed in the confidential instructions

INSTRUCTIONS

- Answer **all** questions.
- Use a black or dark blue pen. You may use an HB pencil for any diagrams or graphs.
- Write your name, centre number and candidate number in the boxes at the top of the page.
- Write your answer to each question in the space provided.
- Do **not** use an erasable pen or correction fluid.
- Do **not** write on any bar codes.
- You may use a calculator.
- You should show all your working and use appropriate units.

INFORMATION

- The total mark for this paper is 40.
- The number of marks for each question or part question is shown in brackets [].
- Notes for use in qualitative analysis are provided in the question paper.

For Examiner's Use	
1	
2	
3	
4	
Total	

This document has **16** pages. Any blank pages are indicated.

- 1 (a) You are going to investigate the rate of an enzyme-catalysed reaction.

Potato cells contain an enzyme that breaks down hydrogen peroxide to make oxygen gas.

You are provided with some hydrogen peroxide solution and three potato cylinders.

Procedure

Step 1 Label three test-tubes **A**, **B** and **C**.

Step 2 Put one of the potato cylinders into test-tube **A**.

Step 3 Put another potato cylinder onto a white tile.

Step 4 Cut this potato cylinder into four approximately equal discs as shown in Fig. 1.1.

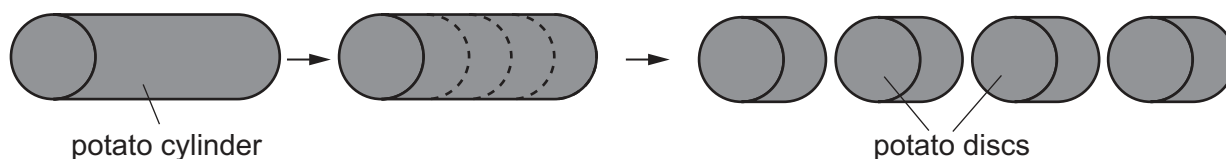


Fig. 1.1

Step 5 Put these four discs of potato into test-tube **B**.

Step 6 Cut the last potato cylinder into **thin** discs. There should be at least 10 discs.

Step 7 Count the potato discs from **Step 6** and put them into test-tube **C**.

(i) Record in Table 1.1 the number of potato discs you added to test-tube **C**. [1]

Step 8 Set up the apparatus shown in Fig. 1.2 using test-tube **A**.

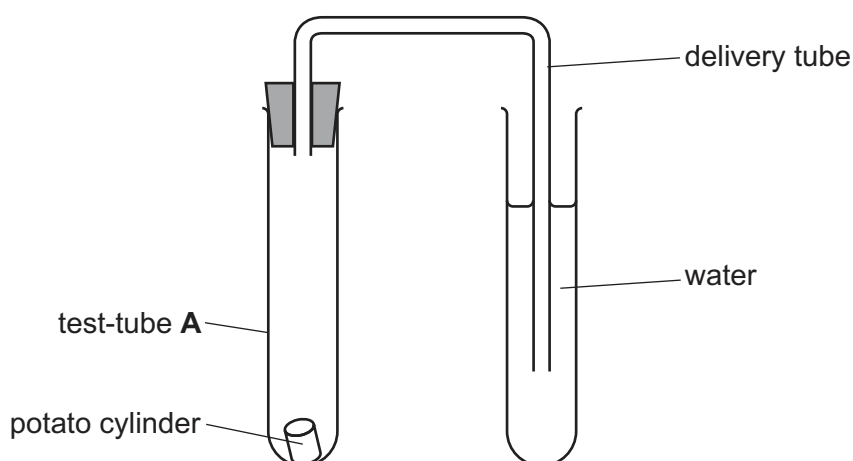


Fig. 1.2

Step 9 Take the bung out of test-tube **A**.

Step 10 Use a syringe to add 10 cm³ of hydrogen peroxide solution to test-tube **A**. Immediately replace the bung into test-tube **A** and start the stop-clock.

Step 11 Count the number of bubbles produced at the end of the delivery tube in 3 minutes.

- (ii) Record in Table 1.1 the number of bubbles produced in 3 minutes for test-tube **A**. [1]

Table 1.1

test-tube	number of potato discs in test-tube	number of bubbles produced in 3 minutes	rate of reaction / number of bubbles per minute
A	1		
B	4		
C			

Step 12 Remove test-tube **A** from the apparatus.

Step 13 Repeat **Step 8** to **Step 12** using test-tube **B**.

Step 14 Repeat **Step 8** to **Step 12** using test-tube **C**.

- (iii) Record in Table 1.1 your results for test-tube **B** and test-tube **C**. [2]

- (iv) Calculate the rate of the reaction in each test-tube.

Use the equation shown.

$$\text{rate of reaction} = \frac{\text{number of bubbles produced in 3 minutes}}{3}$$

- Record in Table 1.1 the rate of reaction in each test-tube. [1]

- (b) A student does a similar experiment using different sized potato discs and timing for five minutes.

The student calculates the total surface area of the potato discs in each test-tube.

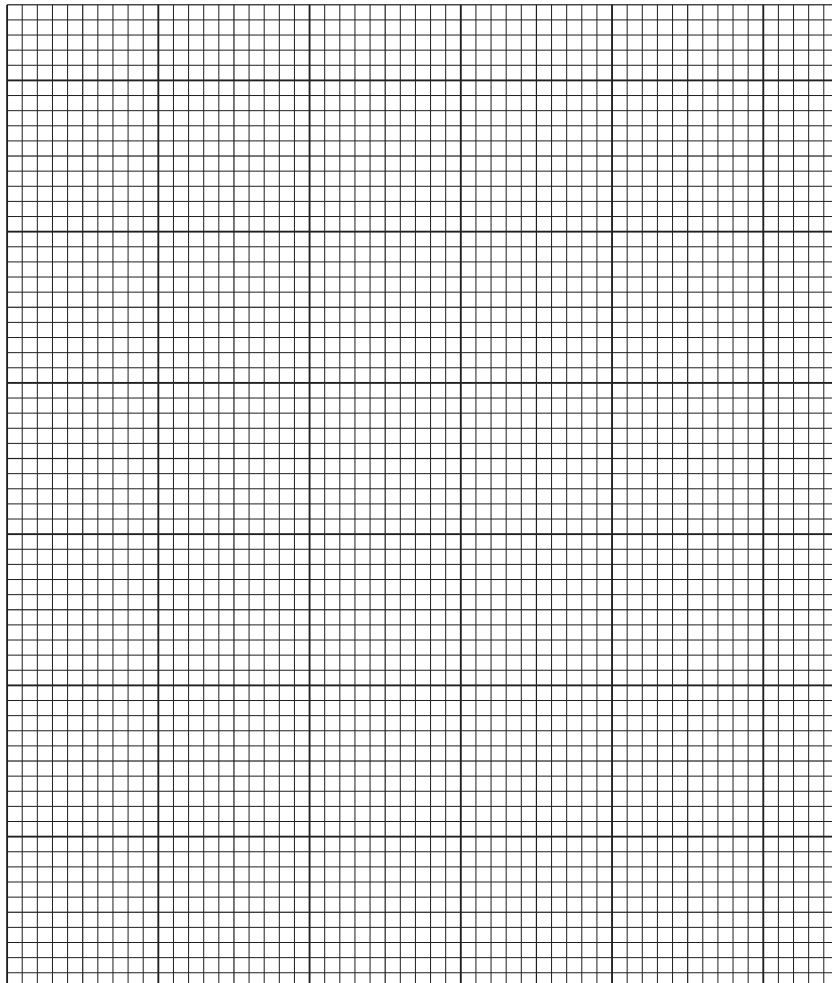
All of the potato discs are cut from the same potato.

The student's results are shown in Table 1.2.

Table 1.2

total surface area of the potato discs /cm ²	number of bubbles produced in 5 minutes	rate of reaction / number of bubbles per minute
14	5	1
23	85	17
32	165	33
41	225	45
50	295	59

- (i) On the grid, plot the rate of reaction (vertical axis) against the total surface area of the potato discs.



(ii) Draw the line of best fit. [1]

(iii) State the relationship between the total surface area of the potato discs and the rate of reaction.

.....
..... [1]

(iv) Identify **one** way the procedure in (b) is an improvement on the procedure in (a).

.....
..... [1]

(v) Describe how the volume of oxygen gas made can be collected and measured.

.....
..... [1]

(vi) Describe a test to confirm that the gas made is oxygen. Include the observation for a positive result.

test

.....

observation

.....

[1]

[Total: 13]

2 You are going to investigate some properties of solid **H**.

(a) You will investigate the pH of a solution of **H**.

Procedure

- Put a spatula load of **H** into a test-tube.
- Add approximately 5 cm depth of distilled water to the test-tube and stir to make a solution of **H**.
- Add three drops of universal indicator to the test-tube.

(i) State the colour of the universal indicator in the solution of **H**.

..... [1]

(ii) Explain why it is difficult to determine an accurate pH value for the solution of **H** using universal indicator and the colour chart.

.....
 [1]

(b) You will investigate the reaction of **H** with aqueous sodium hydroxide.

Procedure

- Put a spatula load of **H** into a boiling tube (large test-tube).
- Add approximately 2 cm depth of aqueous sodium hydroxide to the boiling tube.
- Gently heat the boiling tube with a blue Bunsen burner flame for about 15 seconds.
- Place a piece of damp red litmus paper into the gas at the open end of the boiling tube.

(i) Describe your observations.

.....
 [1]

(ii) Name the gas made and identify the positive ion (cation) present in solid **H**.

gas

positive ion [2]

(iii) Describe **one** safety precaution you use when heating the boiling tube.

Explain your answer.

safety precaution

.....

explanation

..... [1]

(c) You will investigate the reaction of **H** with dilute hydrochloric acid.

Procedure

- Put a spatula load of **H** into a test-tube.
- Add approximately 3 cm depth of dilute hydrochloric acid to the test-tube.

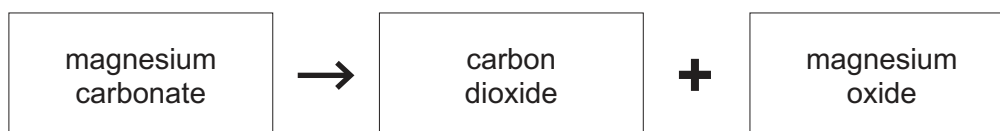
Describe your observations.

.....

..... [1]

[Total: 7]

3 Magnesium carbonate is a white solid that decomposes when heated.



Plan an investigation to find the relationship between the mass of magnesium carbonate heated and the volume of carbon dioxide made.

You are provided with magnesium carbonate powder.

You may use any common laboratory apparatus.

You are not required to do this investigation.

In your plan, include:

- the apparatus needed
- a brief description of the method and an explanation of any safety precautions you will take
- what you will measure
- a results table to record the measurements
- how you will process your results to draw a conclusion.

You are not required to include any results in your results table.

You may include a labelled diagram if you wish.

- 4 You are going to calculate the work done when an object slides from the top of a ramp to the bottom of the ramp.

You are provided with an object, **O**.

- (a) The apparatus in Fig. 4.1 has been set up for you.

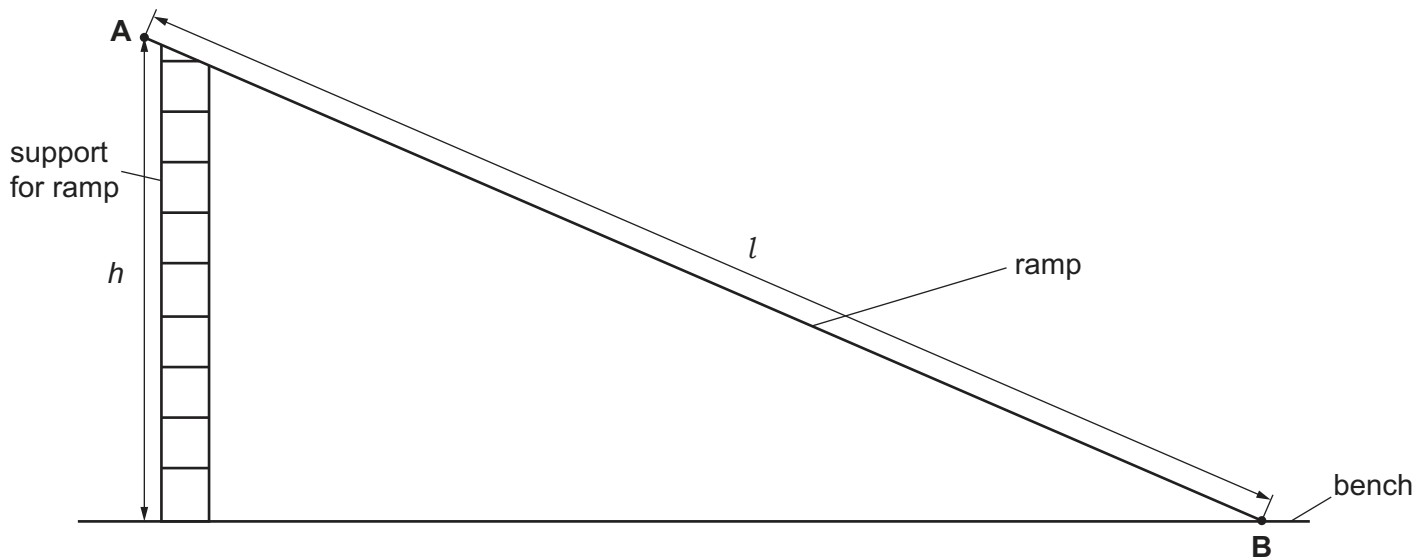


Fig. 4.1

- (i) Measure the **vertical** height h from **A**, the top of the ramp, to the bench.

Record your answer in centimetres to the nearest 0.1 cm.

$$h = \dots\dots\dots \text{ cm [1]}$$

- (ii) Measure the length l of the ramp from **A** to **B**.

Record your answer in centimetres to the nearest 0.1 cm.

$$l = \dots\dots\dots \text{ cm [1]}$$

- (iii) Measure, to the nearest gram, the mass m of the object **O**.

$$m = \dots\dots\dots \text{ g [1]}$$

(b) **Procedure**

- Place the object **O** at position **A**.
- Release the object and immediately start the stop-watch.
- Stop the stop-watch when the object **O** reaches **B**.

- (i) Record in Table 4.1 the time taken, to the nearest 0.01 s, for the object to move from **A** to **B**. Record this as trial 1.

Table 4.1

time taken for object O to travel length of ramp l from A to B /s			
trial 1	trial 2	trial 3	average time

[1]

(ii) Repeat the procedure two more times. Record your results in Table 4.1.

[1]

(iii) Calculate the average time taken for the object **O** to move from **A** to **B**.

Record this average time in Table 4.1.

[1]

(c) Calculate the gravitational force F on the object acting down the ramp.

Use your answers from (a) and the equation shown.

Give your answer to **two** significant figures.

$$F = \frac{9.8 \times m \times h}{1000 \times l}$$

$F =$ N [2]

(d) Calculate the work done W by the gravitational force on the object as it moves from **A** to **B**.

Use your answers from (a)(ii), (c) and the equation shown.

$$W = 0.01 \times F \times l$$

$W =$ J [1]

(e) A student says that measuring the time taken is inaccurate.

Suggest **one** practical improvement to increase the accuracy of the measurement of the time taken. You can assume that all readings are taken avoiding line of sight (parallax) errors.

Explain your answer.

suggestion

explanation

.....

.....

[2]

- (f) (i) Another student repeats the experiment using a different object. The results are shown in Table 4.2.

Table 4.2

time taken for object to travel length of ramp from A to B /s				
trial 1	trial 2	trial 3	trial 4	trial 5
2.68	2.73	5.40	2.86	2.54

Identify the anomalous result in Table 4.2.

Explain why you have chosen this result.

anomalous result

explanation

..... [1]

- (ii) Suggest an error that causes this anomalous result.

..... [1]

[Total: 13]

NOTES FOR USE IN QUALITATIVE ANALYSIS

Tests for anions

<i>anion</i>	<i>test</i>	<i>test result</i>
carbonate (CO_3^{2-})	add dilute acid	effervescence, carbon dioxide produced
chloride (Cl^-) [in solution]	acidify with dilute nitric acid, then add aqueous silver nitrate	white ppt.
nitrate (NO_3^-) [in solution]	add aqueous sodium hydroxide, then aluminium foil; warm carefully	ammonia produced
sulfate (SO_4^{2-}) [in solution]	acidify, then add aqueous barium nitrate	white ppt.

Tests for aqueous cations

<i>cation</i>	<i>effect of aqueous sodium hydroxide</i>	<i>effect of aqueous ammonia</i>
ammonium (NH_4^+)	ammonia produced on warming	–
calcium (Ca^{2+})	white ppt., insoluble in excess	no ppt. or very slight white ppt.
copper (II) (Cu^{2+})	light blue ppt., insoluble in excess	light blue ppt., soluble in excess, giving a dark blue solution
iron(II) (Fe^{2+})	green ppt., insoluble in excess	green ppt., insoluble in excess
iron(III) (Fe^{3+})	red-brown ppt., insoluble in excess	red-brown ppt., insoluble in excess
zinc (Zn^{2+})	white ppt., soluble in excess, giving a colourless solution	white ppt., soluble in excess, giving a colourless solution

Tests for gases

<i>gas</i>	<i>test and test result</i>
ammonia (NH_3)	turns damp red litmus paper blue
carbon dioxide (CO_2)	turns limewater milky
chlorine (Cl_2)	bleaches damp litmus paper
hydrogen (H_2)	'pops' with a lighted splint
oxygen (O_2)	relights a glowing splint

Permission to reproduce items where third-party owned material protected by copyright is included has been sought and cleared where possible. Every reasonable effort has been made by the publisher (UCLES) to trace copyright holders, but if any items requiring clearance have unwittingly been included, the publisher will be pleased to make amends at the earliest possible opportunity.

To avoid the issue of disclosure of answer-related information to candidates, all copyright acknowledgements are reproduced online in the Cambridge Assessment International Education Copyright Acknowledgements Booklet. This is produced for each series of examinations and is freely available to download at www.cambridgeinternational.org after the live examination series.

Cambridge Assessment International Education is part of Cambridge Assessment. Cambridge Assessment is the brand name of the University of Cambridge Local Examinations Syndicate (UCLES), which is a department of the University of Cambridge.